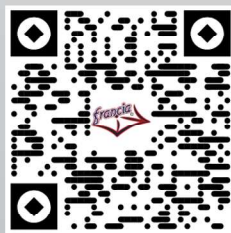
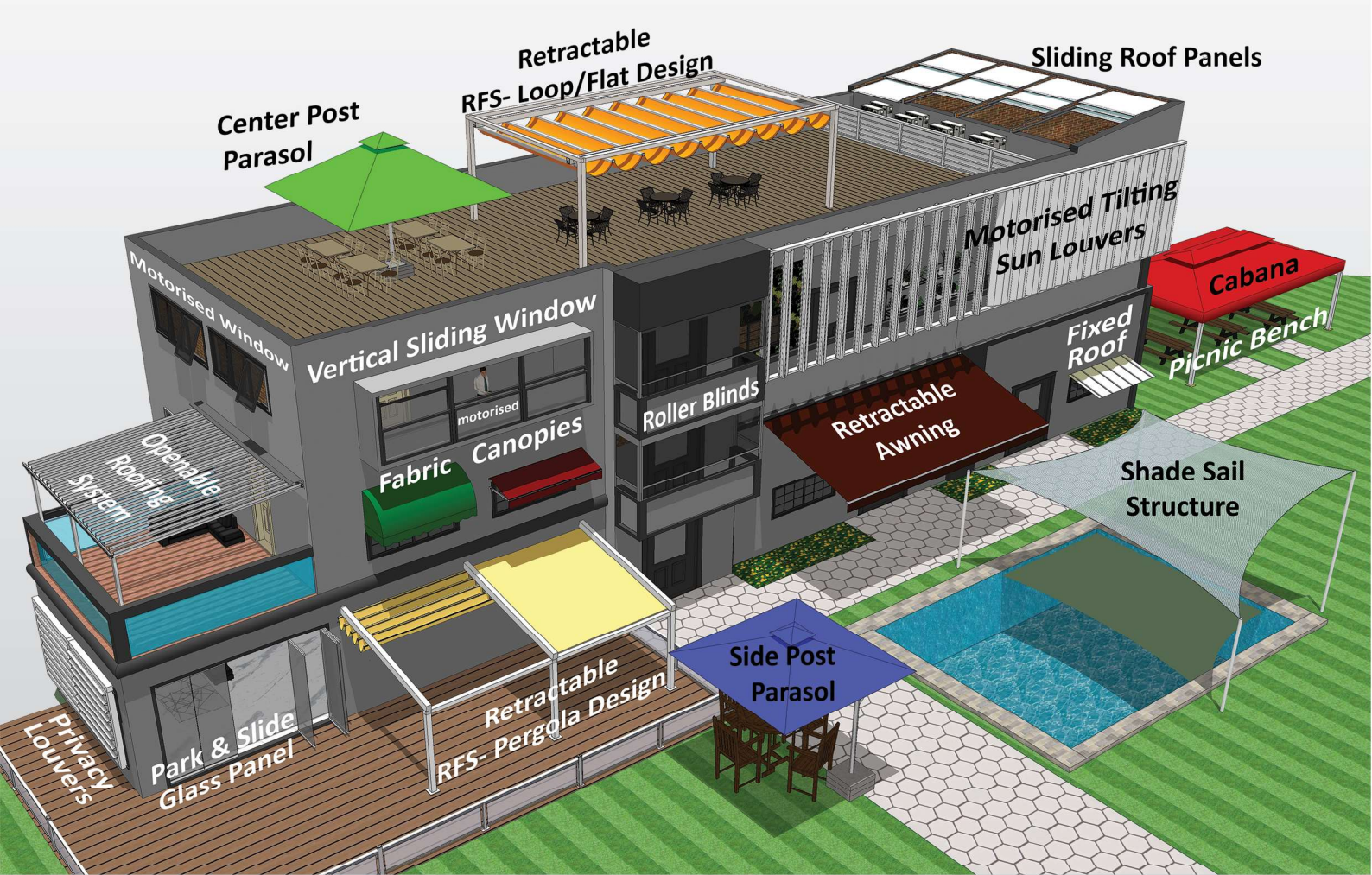




Premium Shading Solutions

since 1981



BCA Registered Bulider



-Retractable Fabric System (RFS)



RFS - Loop Design

RFS is a stylish & chic shade covering with a retractable sliding fabric roof, driven by polyurethane Timing Belt with Steel re-inforcement & Nylon coated Stainless Steel Bearings to ensure smooth journey.

Design to install a T5 light on the internal profiles



RFS - Pergola Design



RFS - Flat Design

Frame : Aluminium Alloy 6061-T6
Main Track : 143mm x 67mm
Profile size : 70mm x 53mm



RFS - Extending / Retracting

-Openable Roofing System (ORS)

Perfect sun and rain protection system which also allows ventilation, view and light control. The Twin wall profiles reduces heat, sound & c/w 9 built-in drainage system. Rotates with complete smoothness and extreme silent from 0° to 130° Upto 6 meter projection.



Close position

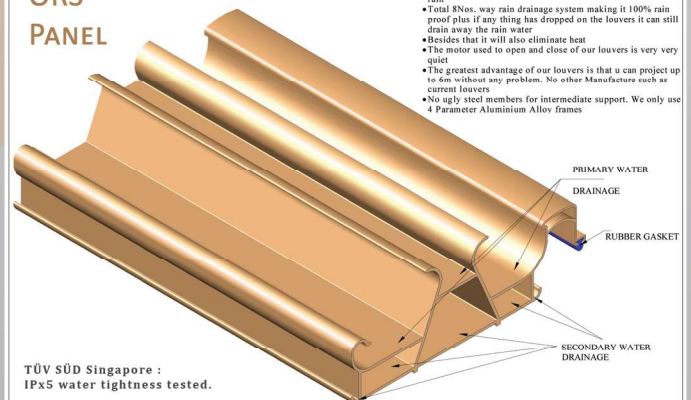
Open position



PSB TUV SG Tested



ORS PANEL



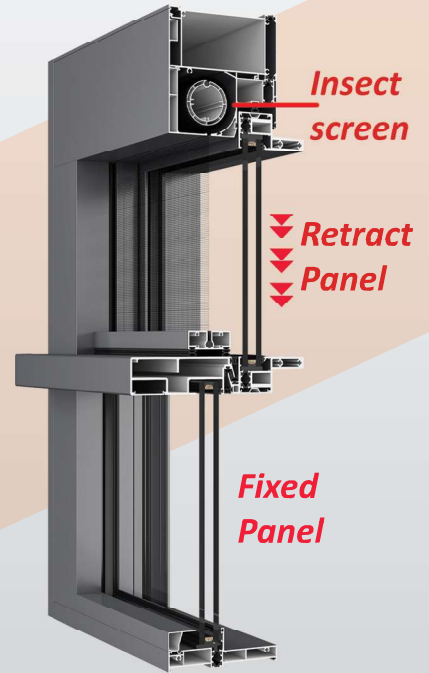
ADVANTAGE OF FRANCA OPENABLE ROOFING SYSTEM
 • Being a twin wall system it eliminates any noise from the rain
 • Total 8Nos. way rain drainage system making it 100% rain proof plus if any thing has dropped on the louvers it can still drain away the rain water
 • Besides that it will also eliminate heat
 • The motor used to open and close of our louvers is very very quiet
 • The greatest advantage of our louvers is that u can project up to 6m without any problem. No other Manufacture such as current louvers
 • No ugly steel members for intermediate support. We only use 4 Parameter Aluminium Alloy frames

TÜV SÜD Singapore : IPx5 water tightness tested.

- Motorised Vertical Window



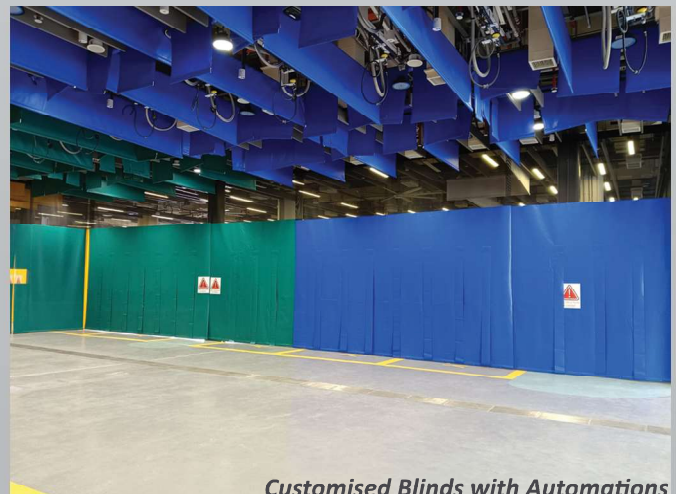
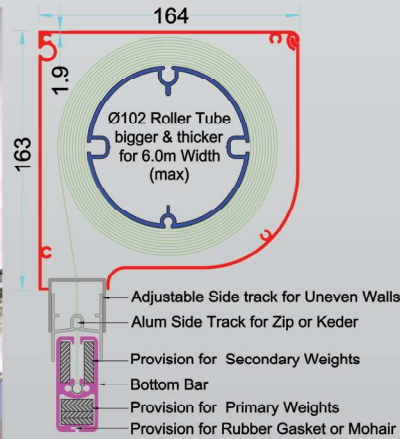
OBJECT DETECTION FUNCTION



2ND GENERATION ALUMINIUM ALLOY 120/150 SERIES INTELLIGENT ELECTRIC LIFT WINDOW

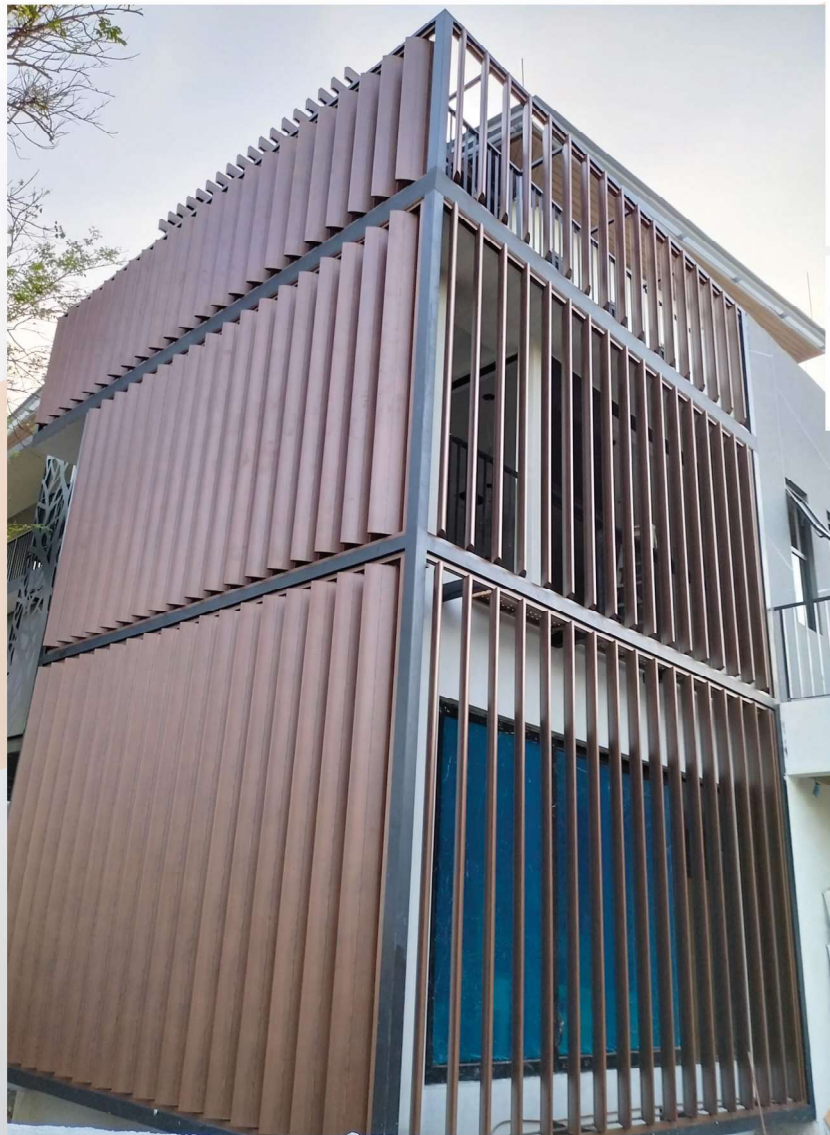
- 105-136mm hand-rail ● 6-8mm Double Tempered Glass with 12-20mm vacuum ●
- 5.0mm thick movable fan ● Handrail ambient lighting ● Varying Frame thickness of 2.0 -5.0mm thickness ● Electric Insect screen(150 Series) ● Safe working voltage @ 24V ● dimensions: 1.5-4.8m (W) x 1.5-2.6m (Height) ● Weight: 120 - 350KG

- Track Guided Roller Blinds



Customised Blinds with Automations

-Sun Louvers



Aerofoil Design Louvers

Design : Aerofoil



Panels (M) :
125, 150
VMax : 2.5m, 3.8m
Hmax : 2.0m , 2.5m

Panels (L) :
225, 250, 275, 300, 325
VMax : 6.0m
Hmax : 4.0m

Design : Slim



Panels (L) :
210, 225, 250, 275, 300, 325
VMax : 3.5m
Hmax : 2.5m



Panel Tilting Louvers



Slim Design Louvers

EXTERNAL LOUVERS APPLICATIONS:

- SHADING ● COOLING ● WIND GUIDE ● PRIVACY
- VENTILATIONS

Available in Motorised , Manual & Home Automation Connectivity .

- Retractable Sliding Roof (RSR)

RSR Allows the flexibility of having a openable roof with clear sky view , Panels slides on a Proprietary Aluminium Alloy 6061-T6 Track with Nylon coated Steel Bearing.

Intergrate or Connect to Fire Control Panel, Smoke/Heat Detectors, Automation & Sensors is possible.



Coverage 25m (W) x 8m (P) - 4panel design



Open to SKY
Retracted
Position

Downward
Model



Coverage 10m (W) x 21m (P) - 3panel design

–Retractable Awnings



One of The Safest & Strongest Retractable Awning in the Universe. with special BUILT-IN SAFETY FEATURE (BISF). upto 36m in Width & 6.0m in Projection



–Shade Sail



- Customised Synthetic HDPE Sails from GALE Australia.rare
- Protect people and outdoor living environments from the harmful effects of UV rays, and adverse weather conditions

– Cabanas / Canopies



Free standing Fabric Tension Canopy

Cabanas

MODEL

- Pymarid
- Gable End

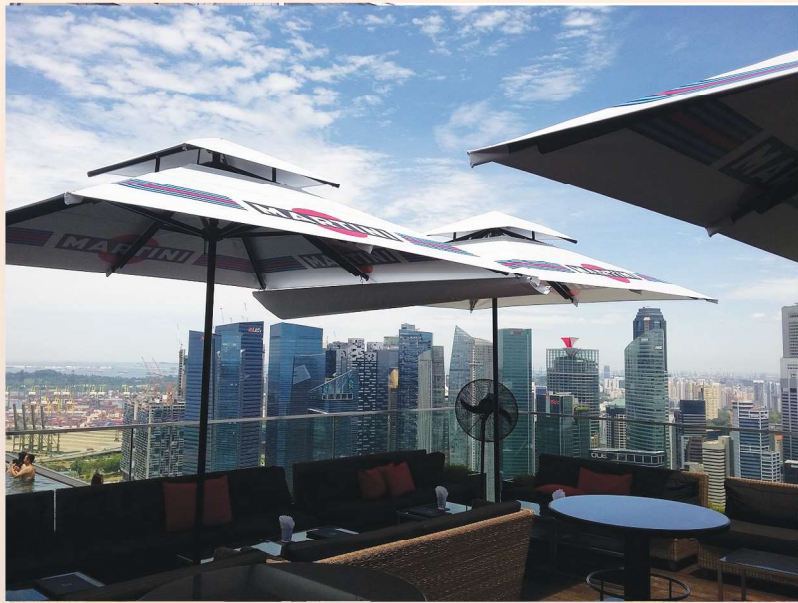
SHAPE

- Square
- Octagon
- Rectangle



French Canopy

Parasols



Center Post Parasols

- Available in Garden, Classic & Jumbo Range
- Size range from 1.5m to 8.0m
- In Square, Hexagon, Octagon or Rectangle
- Customization to any shape or size is possible



Side Post Parasols

- Available in Classic & Jumbo Range
- Size range from 2.0m to 5.5m
- In Square, Octagon or Rectangle
- Customization to any shape or size is possible



Customised 4way Parasol

—other shading solutions—



Aluminium Composite Panel (ACP) Roofing



Motorised Window Opener



ACP + Polycarbonate Combination



Alum Woodgrain Ceiling

Francia Group of Companies

Parasols Unlimited Pte Ltd

7 Yishun Industrial St.1, #04-43
 North Spring Bizhub. Singapore 768162.
 T: 6565 5330
 W: www.francia.com.sg
 E: sales@francia.com.sg

Francia Shades Sdn Bhd

43 Jalan Lombong Emas 3,
 Seremban Light Industrial Pk.Jln Tun Dr.Ismail.
 70200 Seremban, Malaysia.
 T:[60] 6767 3763
 W:www.mnjss.com E: sales@mnjss.com